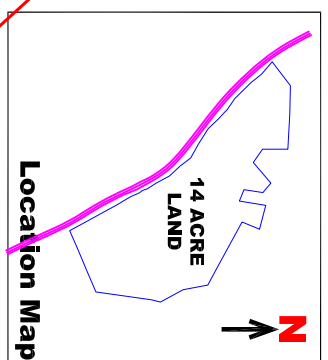


APPROVAL

RELEASED FOR

EKALABYA MODEL RESIDENTIAL SCHOOL AT MATTHALI (MALKANGIRI)



Location Map

MANONJAYA RATH

ARCHITECT

2.	18.12.2020	02	
1.	16.12.2020	01	
Sl. NO.	DATE	REVISION	REMARKS

DWG TITLE: **SITE PLAN**

18.12.2020 N.T.S
DATE SCALE
RAN/PC/1228M/AD/01/2020
DRG. NO.

M. Sridharra
Prof. Incharge

EKALABYA MODEL RESIDENTIAL SCHOOL AT MATTHALI (MALKANGIRI)

NPCC BHUBANESWAR

CONSULTANT:
RATH ARCHITECTURE
104, SAMBODHAN NAGAR, JUMILVA,
Bhubaneswar, Odisha
Ph.No. 9874228080

RELEASED FOR:

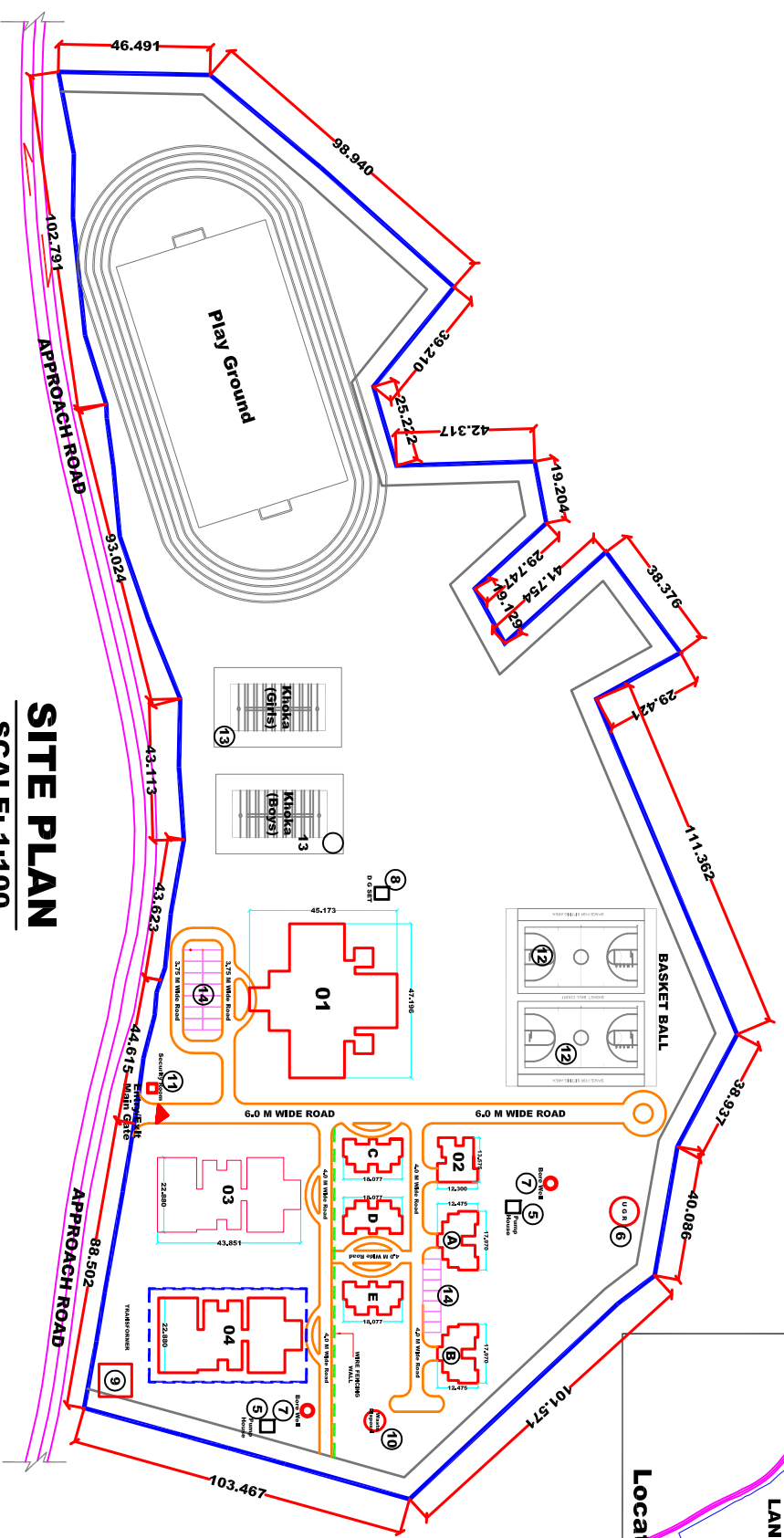
CONCEPTUAL

TENDER

INFORMATION

APPROVAL

CONSTRUCTION



SITE PLAN
SCALE:-1:100

Sl. NO	Legend :	Nos.	05	02
01	School	01	U.G.R	01
02	Principal Quarter	01	BORE WELL	02
03	Boys Hostel	01	D.G SET	01
04	Girls Hostel	01	TRANSFORMER	01
A	2 Bhk Type II (G+2)	01	WASTE DISPOSAL	01
B	2 Bhk Type II (G+1)	01	SECURITY ROOM	01
C	2 Bhk Type III (G+1)	01	Basket Ball Ground	02
D	2 BHK TYPE III (G+2)	01	KHO-KHO GROUND	02
E	2 BHK TYPE III (G+2)	01	PARKING	14

NOTES:-

- * THIS DRAWING MAY CHANGE AS PER SITE CONDITION.
- * ONLY WRITTEN DIMENSION SHOULD BE FOLLOWED.
- * ALL THE DIMENSIONS ARE IN METER.

SCHEDULE OF OPENING

- DOOR -					
SL. NO.	TYPE	SIZE	SILL HT.	LINTEL HT.	DESCRIPTION
1	D	1.80X2.175	-	2.175	PNL DOUBLE DOOR
2	D1	1.20X2.175	-	2.175	PANNELED DOOR
3	D1	1.20X2.175	-	2.175	DOUBLE DOOR
4	D2	0.90X2.175	-	2.175	PANNELED DOOR
5	D2	0.90X2.175	-	2.175	MS. DOOR IN TERRACE
6	D3	0.75X2.175	-	2.175	F.R.P DOOR
- WINDOW -					
7	W	1.50X1.40	0.75	2.175	ALUMINIUM WINDOW
8	FW	1.50X1.40	0.75	2.175	FIX ALUMINIUM WINDOW
9	W1	1.20X1.40	0.75	2.175	ALUMINIUM WINDOW
10	V	0.60X0.675	1.5	2.175	ALUMINIUM VENTILATOR WITH LOUVERS

REMARKS

SIGNATURE

6.			
5.			
4.			
3.			
2.			
1.	24.09.2016	R1	AS PER THE DISCUSSION
SL. NO.	DATE	REVISION	REMARKS

FIRST FLOOR PLAN

09.07.2020	N.T.S
DATE	SCALE
RA/NPCC/1228/AD/02/2020	
DRG. NO.	
Silpa dash Ar. Incharge	Ar. Sidhartha Engg. Incharge

PROPOSED
EKALABYA MODEL
RESIDENTIAL SCHOOL BUILDING
AT MAITHILI (MALKANGIRI)

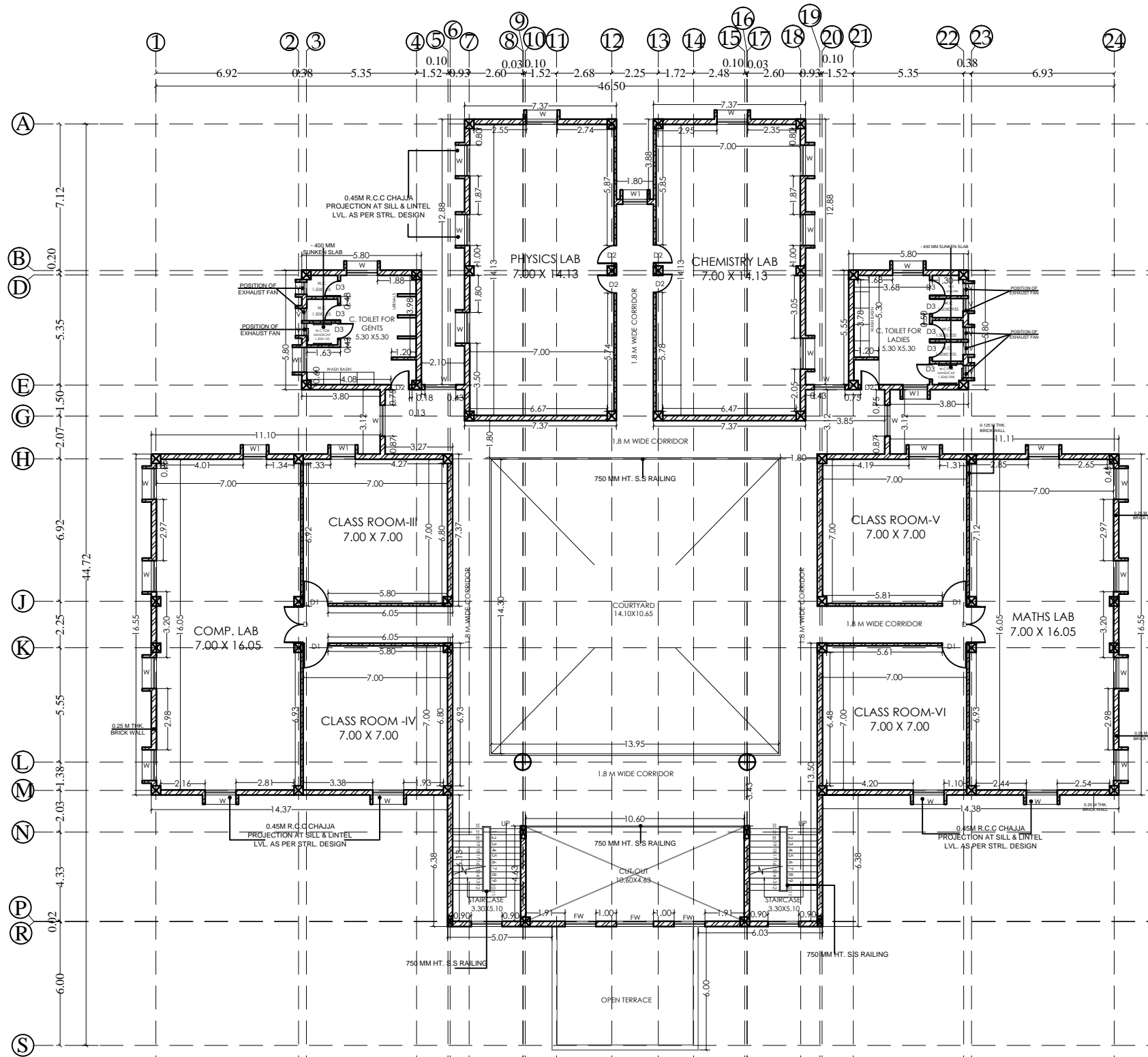
NATIONAL
PROJECTS CONSTRUCTION
CORPORATION
PROJECT MANAGEMENT CONSULTANCY:-

AR. Sidhartha
CHECKED & VERIFIED BY.

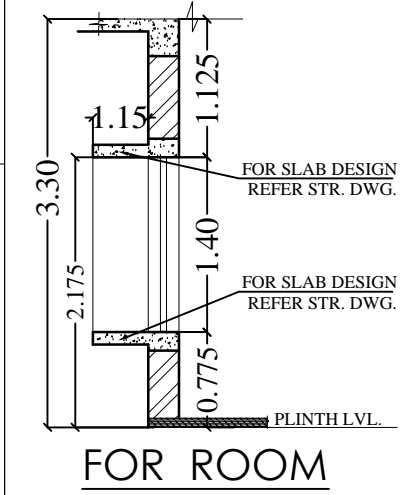
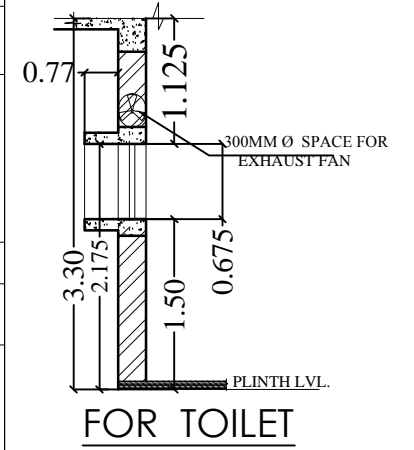
CONSULTANT:
RATH ARCHITECTONIC
UNIT-4, BHUBANESWAR 104,
MADHUSUDAN NAGAR PH.NO.
(0674)2390940

RELEASED FOR :-

- CONCEPTUAL
- TENDER
- INFORMATION
- APPROVAL
- CONSTRUCTION



FIRST FLOOR PLAN
AREA:- 996.00 SQ.MT



NOTE:-
FOR PLINTH LEVEL REFER PLINTH
BEAM LAYOUT SHEET.

NOTES:-

* THIS DRAWING MAY CHANGE AS PER SITE CONDITION.
* ONLY WRITTEN DIMENSION SHOULD BE FOLLOWED.
* ALL THE DIMENSIONS ARE IN METER.

SCHEDULE OF OPENING

- DOOR -					
SL. NO.	TYPE	SIZE	SILL HT.	LINTEL HT.	DESCRIPTION
1	D	1.80X2.175	-	2.175	PSL DOUBLE DOOR
2	D1	1.20X2.175	-	2.175	PANNELED DOOR
3	D1	1.20X2.175	-	2.175	DOUBLE DOOR
4	D2	0.90X2.175	-	2.175	PANNELED DOOR
5	D2	0.90X2.175	-	2.175	MS DOOR TERRACE
6	D3	0.75X2.175	-	2.175	F.P.P DOOR
- WINDOW -					
7	W	1.50X1.40	0.75	2.175	ALUMINIUM WINDOW
8	FW	1.50X1.40	0.75	2.175	FIX ALUMINIUM WINDOW
9	W1	1.20X1.40	0.75	2.175	ALUMINIUM WINDOW
10	V	0.6X0.675	1.5	2.175	ALUMINIUM VENTILATOR WITH LOUVERS

REMARKS SIGNATURE

6.			
5.			
4.			
3.			
2.			
1.			
SL. NO.	DATE	REVISION	REMARKS

SECOND FLOOR PLAN			
DRG. TITLE			
09.07.2020	N.T.5	DATE SCALE	
RA/NPCC/1228/AD/03/2020		DRG. NO.	
Silpa dash Ar. Incharge		Ar. Sidhartha Engg. Incharge	

PROPOSED EKALABYA MODEL RESIDENTIAL SCHOOL BUILDING AT MAITHILI (MALKANGIRI)

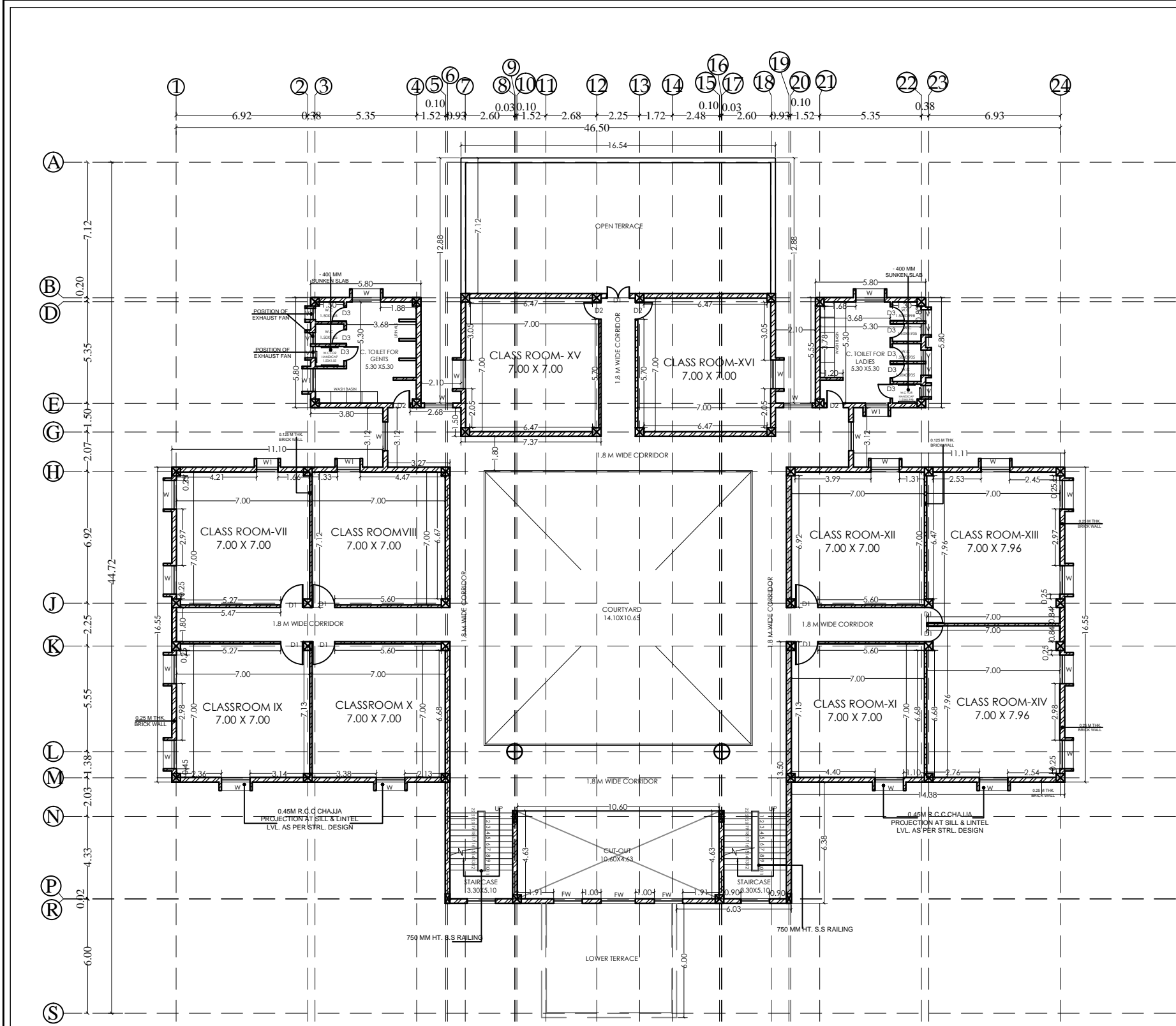
NATIONAL PROJECTS CONSTRUCTION CORPORATION
PROJECT MANAGEMENT CONSULTANCY:-
AR. Sidhartha
CHECKED & VERIFIED BY:-

PROPOSED EKALABYA MODEL RESIDENTIAL SCHOOL BUILDING AT MAITHILI (MALKANGIRI)

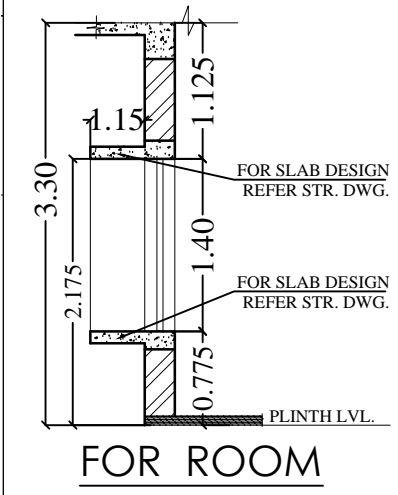
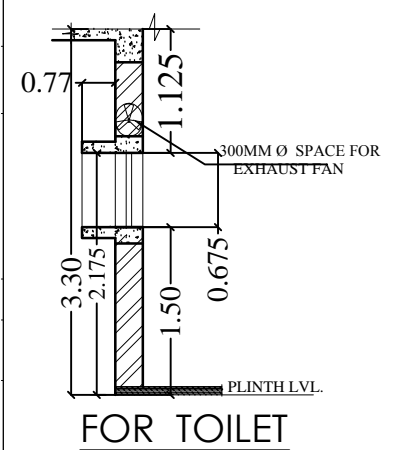
CONSULTANT:
RATH ARCHITECTONIC
UNIT-4, BHUBANESWAR 104,
MADRAS JUDAN NAGAR PH.NO.
[0674]2390940

RELEASED FOR :-

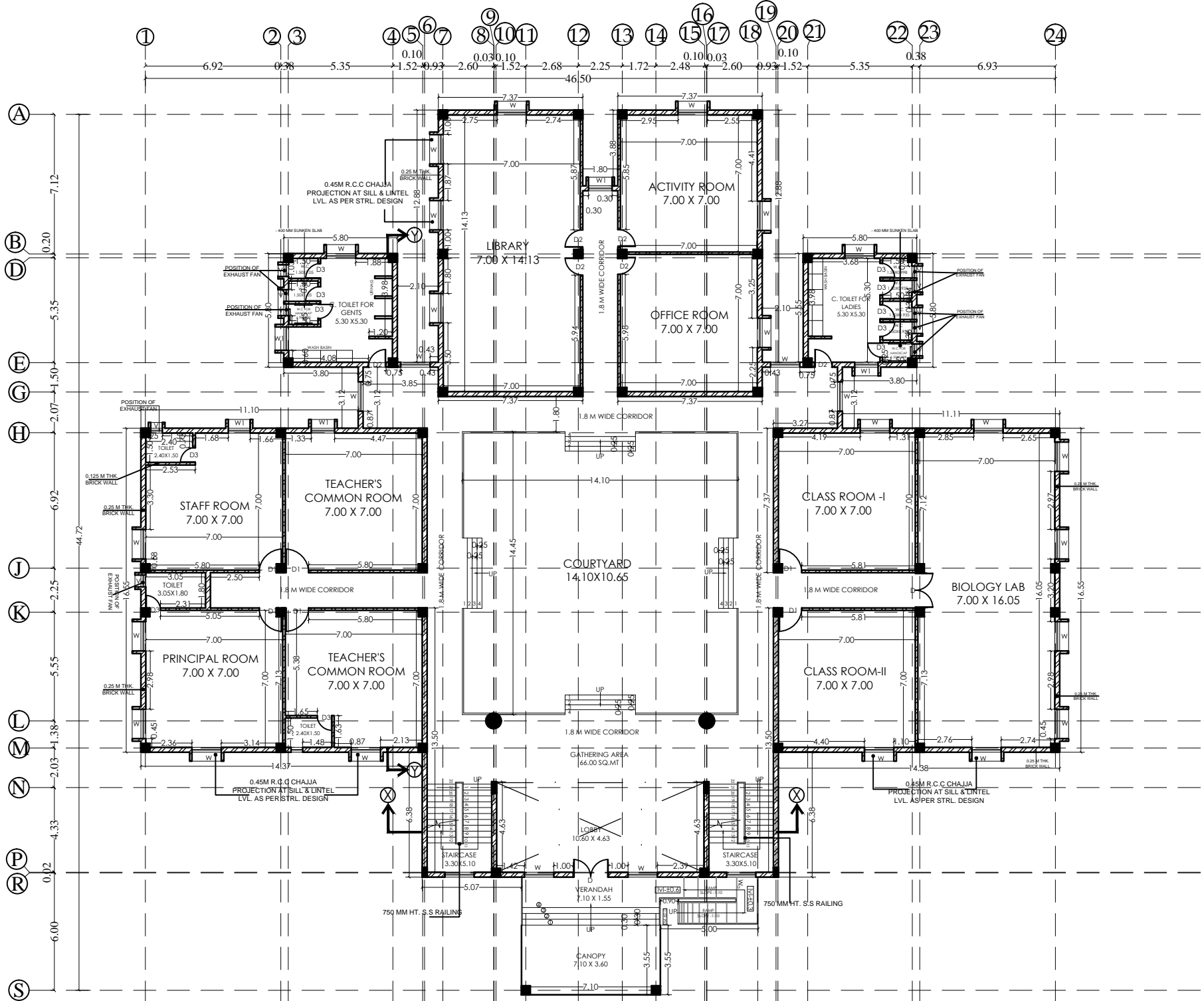
CONCEPTUAL	<input type="checkbox"/>
TENDER	<input type="checkbox"/>
INFORMATION	<input type="checkbox"/>
APPROVAL	<input type="checkbox"/>
CONSTRUCTION	<input checked="" type="checkbox"/>



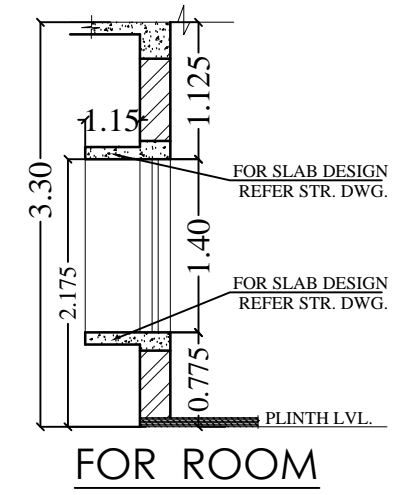
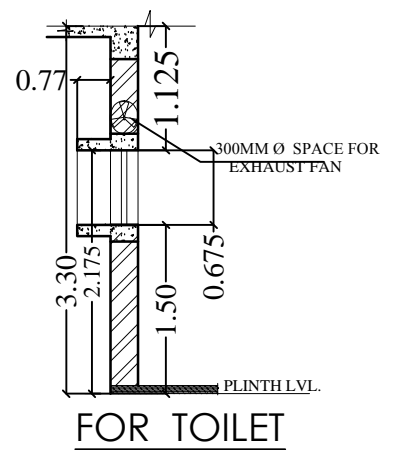
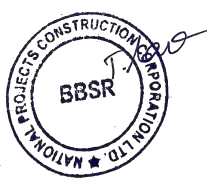
SECOND FLOOR PLAN
AREA:- 886.00 SQ.MT



NOTE-
FOR PLINTH LEVEL REFER PLINTH BEAM LAYOUT SHEET.



GROUND FLOOR PLAN
AREA:- 1045.00 SQ.MT
CANOPY AREA:- 42.00 SQ.MT



NOTE-
 FOR PLINTH LEVEL REFER PLINTH BEAM LAYOUT SHEET.

NOTES:-
 * THIS DRAWING MAY CHANGE AS PER SITE CONDITION.
 * ONLY WRITTEN DIMENSION SHOULD BE FOLLOWED.
 * ALL THE DIMENSIONS ARE IN METER.

SCHEDULE OF OPENING

- DOOR -					
SL. NO.	TYPE	SIZE	SILL HT.	INTEL HT.	DESCRIPTION
1	D	1.80X2.175	-	2.175	PNL DOUBLE DOOR
2	D1	1.20X2.175	-	2.175	PANNELED DOOR
3	D1	1.20X2.175	-	2.175	DOUBLE DOOR
4	D2	0.90X2.175	-	2.175	PANNELED DOOR
5	D2	0.90X2.175	-	2.175	MS DOOR IN TERRACE
6	D3	0.75X2.175	-	2.175	F.R.P DOOR
- WINDOW -					
7	W	1.50X1.40	0.75	2.175	ALUMINIUM WINDOW
8	FW	1.50X1.40	0.75	2.175	FIX ALUMINIUM WINDOW
9	W1	1.20X1.40	0.75	2.175	ALUMINIUM WINDOW
10	V	0.6X0.675	1.5	2.175	ALUMINIUM VENTILATOR WITH LOUVERS

REMARKS	SIGNATURE

6.			
5.			
4.			
3.			
2.			
1.	24.09.2016	R1	AS PER THE DISCUSSION
SL. NO.	DATE	REVISION	REMARKS

GROUND FLOOR PLAN

DRG TITLE

09.07.2020 DATE N.T.S SCALE

RA/NPCC/1228/AD/01/2020 DRG. NO.

Silpa dash Ar. Incharge Ar. Sidhartha Engg. Incharge

PROPOSED EKALABYA MODEL RESIDENTIAL SCHOOL BUILDING AT MAITHILI (MALKANGIRI)

NATIONAL PROJECTS CONSTRUCTION CORPORATION
 PROJECT MANAGEMENT CONSULTANCY:-

AR. Sidhartha
 CHECKED & VERIFIED BY .

CONSULTANT :
RATH ARCHITECTONIC
 UNIT-4, BHUBANESWAR 104,
 MADHUSUDAN NAGAR PH.NO.
 [06742395940]

RELEASED FOR :-

CONCEPTUAL

TENDER

INFORMATION

APPROVAL

CONSTRUCTION

SC/AD/01

SHEET NO

SCHOOL BUILDING

CONSTRUCTION

RELEASED FOR
PROPOSED EKALABYA MODEL RESIDENTIAL SCHOOL BUILDING AT MAITHILI (MALKANGIRI)

Ar. MANONJAY RATH

ARCHITECT

PROPOSED EKALABYA MODEL RESIDENTIAL SCHOOL BUILDING AT MAITHILI (MALKANGIRI)

NATIONAL PROJECTS CONSTRUCTION CORPORATION
 PROJECT MANAGEMENT CONSULTANCY:-

AR. Sidhartha
 CHECKED & VERIFIED BY .

CONSULTANT :
RATH ARCHITECTONIC
 UNIT-4, BHUBANESWAR 104,
 MADHUSUDAN NAGAR PH.NO.
 [06742395940]

RELEASED FOR :-

CONCEPTUAL

TENDER

INFORMATION

APPROVAL

CONSTRUCTION